

13 Spare Parts

13.1 Boiler

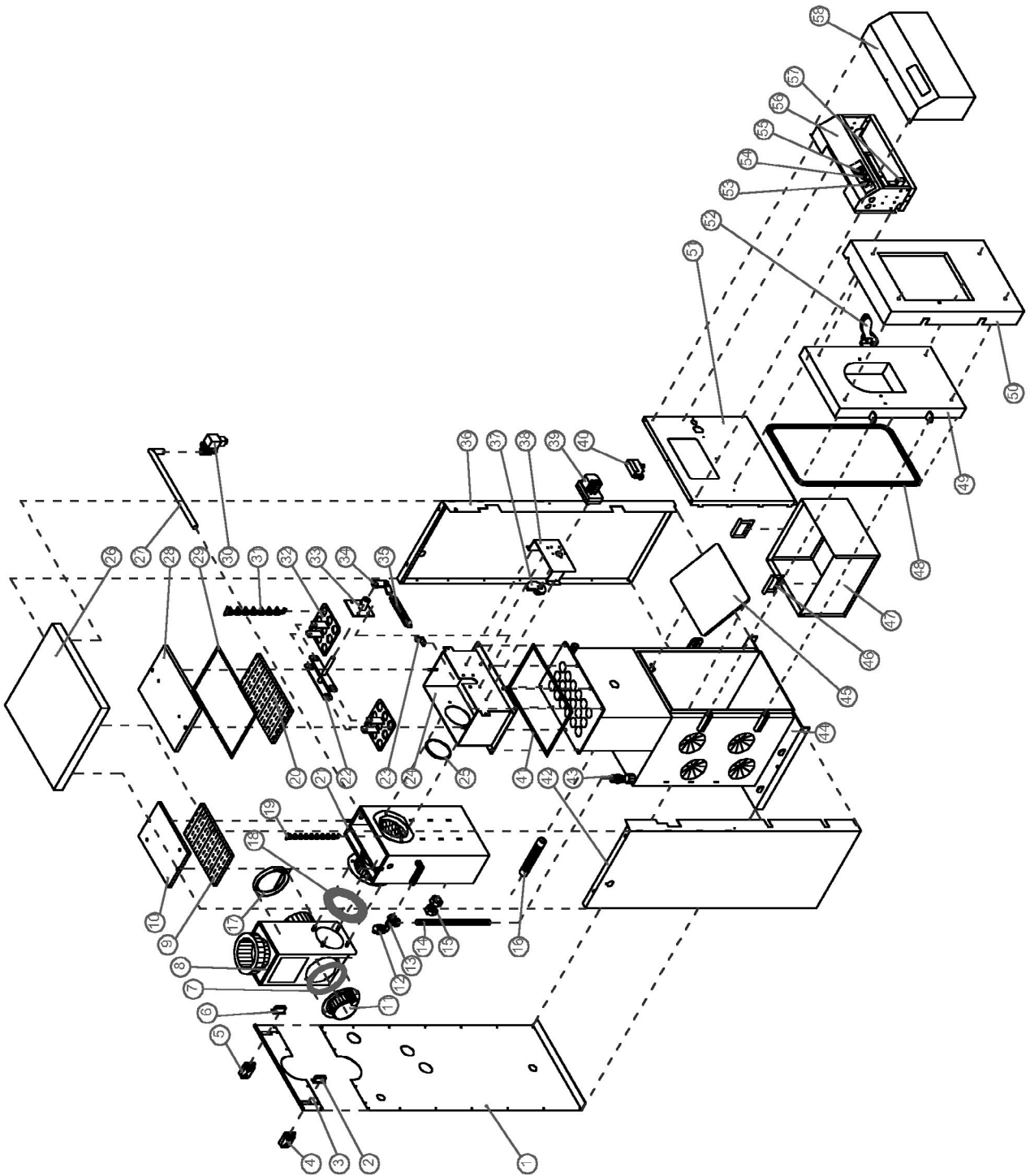
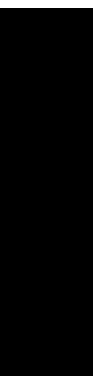


Figure 13-1: Boiler components – exploded view

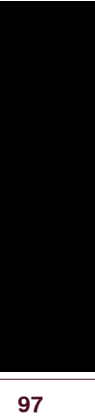


13.2 Boiler Parts List

Item	Description	Product code	Qty - 5-18kW	Qty - 6-26kW	Qty - 9-36kW
1	Rear lower panel	WPS34	1	1	1
2	5 way mains connection - male fixed	WPS35	1	1	1
3	Rear upper panel	WPS36	1	1	1
4	5 way mains connection - female detachable	WPS37	1	1	1
5	5 way flue fan / cleaning solenoid connection - male detachable	WPS38	1	1	1
6	5 way flue fan / cleaning solenoid connection - female fixed	WPS39	1	1	1
7	Flue fan sealing gasket	WPS40	1	1	1
8	Fan box	WPS41	1	1	1
9	Cleaning door sealing gasket - secondary	WPS42	1	1	
		WPS43			1
10	Cleaning door - secondary	WPS44	1	1	
		WPS145			1
11	Flue fan	WPS46	1	1	1
12	Air vent	MPCBS29	1	1	1
13	Air fold manifold	WPS48	1	1	1
14	22mm secondary to primary pipe	WPS49	1	1	
		WPS50			1
15	Return assembly	WPS51	1	1	
		WPS52			1
16	1" BSP flow pipe (5-18 and 6-26kW)	WPS53	1	1	
	1¼" BSP flow pipe (9-36kW)	WPS54			1
17	Draught stabiliser	WPS55	1	1	1
18	Fan box/secondary gasket	WPS56	1	1	1
19	Secondary heat exchanger spiral baffle	WPS57	30	30	40
20	Cleaning door sealing gasket - primary	WPS58	1	1	
		WPS59			1
21	Secondary heat exchanger	WPS60	1	1	
		WPS61			1
22	Shaker arm assembly	WPS62	1	1	
		WPS63			1
23	Spring anchor - fixed	WPS64	1	1	1
24	Shaker chamber	WPS65	1	1	
		WPS66			1
25	Primary/secondary gasket	WPS67	1	1	1
26	Top panel	WPS68	1	1	
		WPS69			1
27	Cleaning pipe manifold	WPS70	1	1	
		WPS71			1
28	Cleaning door - shaker chamber	WPS72	1	1	
		WPS73			1
29	Fibre rope - shaker chamber door	WPS74	1	1	
		WPS75			1

Boiler Parts List continued

Item	Description	Product code	Qty - 5-18kW	Qty - 6-26kW	Qty - 9-36kW
30	Solenoid valve	WPS76	1	1	1
31	Primary heat exchanger spiral baffle	WPS77	18	18	24
32	Spiral hanger	WPS78	1	1	
		WPS79			1
33	Shaker assembly mounting flange	WPS80	1	1	1
34	Spring anchor - movable	WPS81	1	1	1
35	Cleaning mechanism spring	WPS82	1	1	1
36	Right side panel	WPS83	1	1	
		WPS84			1
37	Cleaning mechanism cam	WPS85	1	1	1
38	Cleaning motor mounting flange	WPS86	1	1	1
39	Cleaning mechanism motor	WPS87	1	1	1
40	Door interlock	WPS88	1	1	1
41	Shaker chamber mounting gasket	WPS89	1	1	
		WPS90			1
42	Left side panel	WPS91	1	1	
		WPS92			1
43	Brass fitting 1" BSP x 22mm (311)	WPS93	1	1	
	Brass fitting 1¼" BSP x 28mm (311)	WPS94			1
44	Primary heat exchanger	WPS95	1	1	
		WPS96			1
45	Combustion chamber baffle	WPS97	1	1	
		WPS98			1
46	Ash pan handles	WPS99	2	2	2
47	Ash pan	WPS100	1	1	
		WPS101			1
48	Combustion chamber cleaning door rope	WPS102	1	1	1
49	Combustion chamber cleaning door	WPS103	1	1	1
50	Combustion chamber cleaning door panel	WPS104	1	1	1
51	Front panel	WPS105	1	1	1
52	Combustion chamber cleaning door handle	WPS106	1	1	1
53	On / off switch	EFBS22	1	1	1
54	Limit stat	WPS107	1	1	1
55	Momentary switch (double pole on / off)	WPS108	1	1	1
56	Control panel chassis	WPS109	1	1	1
57	Relay	MPCBS72X	1	1	1
58	Control panel cover	WPS110	1	1	1
N/A	Circuit board (5-18kW)	WPS112C	1		
N/A	Circuit board (6-26kW)	WPS112		1	
N/A	Circuit board (9-36kW)	WPS112B			1



13.3 Burner

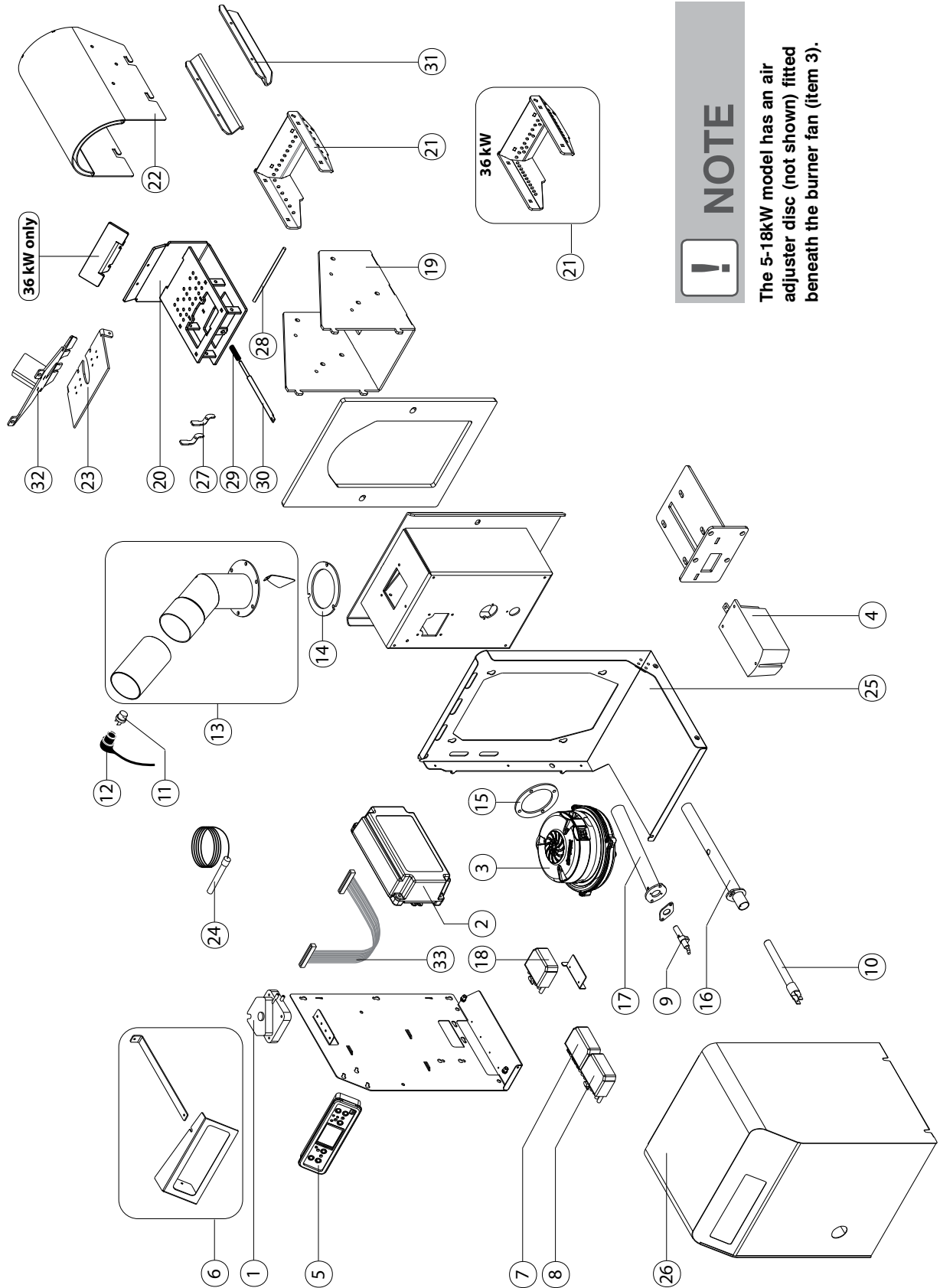


Figure 13-2: Burner – exploded view

13.4 Burner Parts List

Item	Description	Product code	Qty - 5-18kW	Qty - 6-26kW	Qty - 9-36kW
1	Air pressure switch	WPS111	1	1	1
2A	Primary printed circuit board (5-18)	WPS112C	1	-	-
2B	Primary printed circuit board (6-26)	WPS112	-	1	-
2C	Primary printed circuit board (9-36)	WPS112B	-	-	1
3	Burner fan and motor	WPS03	1	1	1
N/A	Air restriction plate (5-18kW only)	WPS178	1	-	-
4	Servo motor (for brazier)	WPS04X	1	1	1
5	LED display unit	WPS05	1	1	1
6	LED display support	WPS06	1	1	1
7	Electrical connector (7-way female) - burner plug No. 2	WPS07	1	1	1
8	Electrical connector (7-way male) - burner plug No. 2	WPS08	1	1	1
9	Photocell	WPS09	1	1	1
10	Ignition element (no housing)	WPS10A	1	1	1
11	Pellet feed tube thermostat	WPS11	1	1	1
12	Pellet feed tube thermostat cover	WPS12	1	1	1
13	Pellet feed tube (one piece)	WPS174	1	1	1
	Pellet feed tube (two piece)	WPS174A	1	1	1
N/A	Pellet feed (flexi) tube	WPS13	1	1	1
14	Pellet feed tube gasket	WPS14	1	1	1
15	Burner fan gasket	WPS24	1	1	1
16	Ignition element housing (housing only)	WPS10B	1	1	1
17	Photocell tube	WPS17	1	1	1
18	Electrical connector (6-way male) - burner plug No. 3	WPS18	1	1	1
19	Brazier - chassis	WPS19	1	1	1
20A	Brazier - bottom (5-18 and 6-26 kW)	WPS33A	1	1	-
20B	Brazier - bottom (9-36kW)	WPS33B	-	-	1
21A	Brazier - angle plate (5-18 and 6-26 kW)	WPS32A	1	1	-
21B	Brazier - angle plate (9-36kW)	WPS32B	-	-	1
22A	Burner hood (5-18 and 6-26kW)	WPS29X	1	1	-
22B	Burner hood (9-36kW)	WPS29Y	-	-	1
23	Ignition element mounting plate	WPS22	1	1	1
24	Boiler water thermistor	WPS25	1	1	1
25	Burner back plate and base	WPS27	1	1	1
26	Burner cover	WPS28	1	1	1
27	Special - contact Grant UK	N/A	1	1	1
28	Special - contact Grant UK	N/A	1	1	1
29	Cleaning mechanism spring	WPS82	1	1	1
30	Special - contact Grant UK	N/A	1	1	1
31	Special - contact Grant UK	N/A	1	1	1
32	Back plate for photocell	WPS23	1	1	1
33	Special - contact Grant UK	N/A	1	1	1
N/A	Brazier measuring tool	WPS199	1	1	1